

KEY FEATURES

- Din Rail Switching Power Supply
- Universal Input Range 90-264VAC, 47-440 Hz
- Regulated Output
- Low Ripple and Noise
- High Efficiency
- CE, cUL, TUV Approvals
- 2-Year Product Warranty



ELECTRICAL SPECIFICATIONS

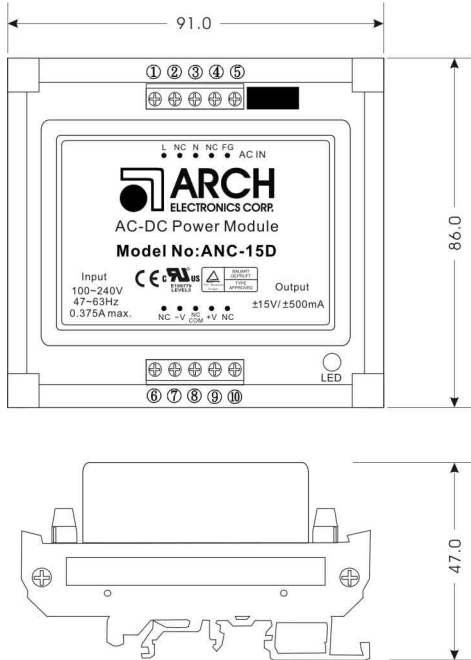
| Model No. (Single Output) | ANC-5S-DN | ANC-12S-DN | ANC-15S-DN | ANC-24S-DN | |
|---|-------------------------------------|---|------------|------------|-----|
| Max Output Wattage (W) | 15W | 15W | 15W | 15W | |
| Input | Voltage | | | | |
| | 90-264 VAC or 120-370 VDC | | | | |
| | Frequency (Hz) | | | | |
| | 47-440 Hz | | | | |
| | Current (Full load) | | | | |
| 280 mA max. (115 VAC) / 170 mA max. (230 VAC) | | | | | |
| Inrush Current (<2ms) | | | | | |
| 10 A max. (115 VAC) /20 A max. (230 VAC) | | | | | |
| Leakage Current | | | | | |
| 0.75 mA max. | | | | | |
| Output | Voltage (V.DC.) | 5V | 12V | 15V | 24V |
| | Voltage Accuracy | ±2% | | | |
| | Current (mA) max | 3000 | 1250 | 1000 | 625 |
| | Line Regulation (LL-HL) (typ.) | ±0.5% | | | |
| | Load Regulation (5-100%) (typ.) | ±0.5% | | | |
| | Minimum Load | 0% | | | |
| | Maximum Capacitive Load | 470-23,000µF depending on model | | | |
| | Ripple | <0.2% Vout +40mV max (Vp-p) | | | |
| | Noise | <0.5% Vout +50mV max (Vp-p) | | | |
| | Efficiency | 70% | 72% | 72% | 74% |
| | Hold-up Time | 15 ms min. | | | |
| | Switching Frequency | 100 kHz | | | |
| Protection | Over Power Protection | Hiccup technique, auto-recovery | | | |
| | Over Voltage Protection | Zener diode clamp | | | |
| | Short Circuit Protection | Hiccup mode, indefinite (automatic recovery) | | | |
| Isolation | Input-Output (V.AC) | 3000V | | | |
| | Input-FG (V.AC) | 1500V | | | |
| | Output-FG (V.AC) | 500V | | | |
| Environment | Operating Temperature | -25°C...+70°C (with derating) | | | |
| | Storage Temperature | -40°C...+85°C | | | |
| | Temperature Coefficient | ±0.02%/°C | | | |
| | Humidity | 95% RH | | | |
| | MTBF | >200,000 h @ 25°C (MIL-HDBK-217F) | | | |
| Physical | Dimension (L x W x H) | 3.58 x 3.39 x 1.85 Inches (91.0 x 86.0 x 47.0 mm) Tolerance ±0.5 mm | | | |
| | Case Material | Plastic resin with Fiberglass (flammability to UL 94V-2) | | | |
| | Weight | 200 g | | | |
| | Cooling Method | Free air convection | | | |
| Safety | Agency Approvals | UL/cUL, CE, TUV | | | |
| EMC | EMI (Conducted & Radiated Emission) | EN 55022 class B | | | |
| | EMS (Noise Immunity) | EN 55024 | | | |

All specifications valid at nominal input voltage, full load and +25°C after warm-up time unless otherwise stated.

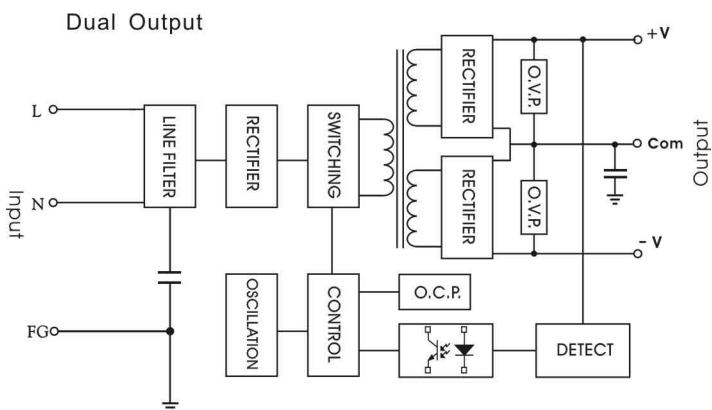
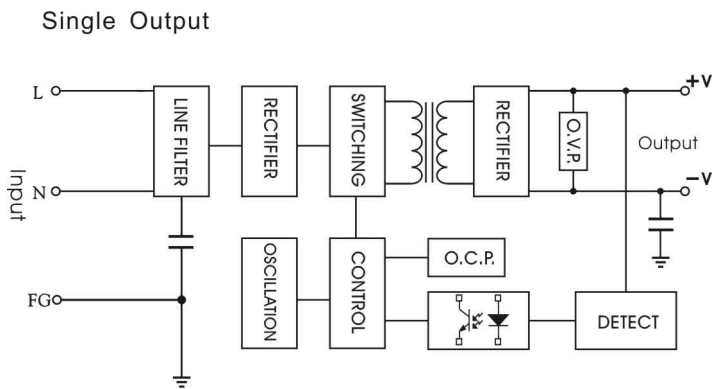
ELECTRICAL SPECIFICATIONS

| Model No. (Dual, Triple Output) | ANC-5D-DN | ANC-12D-DN | ANC-15D-DN | ANC-5S12D-DN | ANC-5S15D-DN | | |
|---|-------------------------------------|--|---|---------------------------------|--------------|-----------------|-----------|
| Max Output Wattage (W) | 15W | 15.6W | 15W | 14.8W | 14.5W | | |
| Input | Voltage | | | | | | |
| | 90-264 VAC or 120-370 VDC | | | | | | |
| | Frequency (Hz) | | | | | | |
| | 47-440 Hz | | | | | | |
| | Current (Full load) | | | | | | |
| 280 mA max. (115 VAC) / 170 mA max. (230 VAC) | | | | | | | |
| Inrush Current (<2ms) | | | | | | | |
| 10 A max. (115 VAC) / 20 A max. (230 VAC) | | | | | | | |
| Leakage Current | | | | | | | |
| 0.75 mA max. | | | | | | | |
| Output | Voltage (V.DC.) | | ±5V | ±12V | ±15V | 5/±12 | 5/±15 |
| | Voltage Accuracy | | ±2% | | | | |
| | Current (mA) max | | ±1500 | ±650 | ±500 | 2000/±200 | 2000/±150 |
| | Line Regulation (LL-HL) (typ.) | | ±0.5% | | | ±1% / ±5% | |
| | Load Regulation (5-100%) (typ.) | | ±3% | | | ±2% / ±5% | |
| | Minimum Load | | 0% | | | 5V 10% (200 mA) | |
| | Maximum Capacitive Load | | 470-23,000µF depending on model | | | | |
| | Ripple | | <0.2% Vout +40mV max (Vp-p) | | | | |
| | Noise | | <0.5% Vout +50mV max (Vp-p) | | | | |
| | Efficiency | | 71% | 76% | 65% | 68% | 68% |
| | Hold-up Time | | 15 ms min. | | | | |
| | Switching Frequency | | 100 kHz | | | | |
| | Protection | Over Power Protection | | Hiccup technique, auto-recovery | | | |
| Over Voltage Protection | | Zener diode clamp | | | | | |
| Short Circuit Protection | | Hiccup mode, indefinite (automatic recovery) | | | | | |
| Isolation | Input-Output (V.AC) | | 3000V | | | | |
| | Input-FG (V.AC) | | 1500V | | | | |
| | Output-FG (V.AC) | | 500V | | | | |
| Environment | Operating Temperature | | -25°C...+70°C (with derating) | | | | |
| | Storage Temperature | | -40°C...+85°C | | | | |
| | Temperature Coefficient | | ±0.02%/°C | | | | |
| | Humidity | | 95% RH | | | | |
| | MTBF | | >200,000 h @ 25°C (MIL-HDBK-217F) | | | | |
| Physical | Dimension (L x W x H) | | 3.58 x 3.39 x 1.85 Inches (91.0 x 86.0 x 47.0 mm) Tolerance ±0.5 mm | | | | |
| | Case Material | | Plastic resin with Fiberglass (flammability to UL 94V-2) | | | | |
| | Weight | | 200 g | | | | |
| | Cooling Method | | Free air convection | | | | |
| Safety | Agency Approvals | | UL/cUL, CE, TUV | | | | |
| EMC | EMI (Conducted & Radiated Emission) | | EN 55022 class B | | | | |
| | EMS (Noise Immunity) | | EN 55024 | | | | |

All specifications valid at nominal input voltage, full load and +25°C after warm-up time unless otherwise stated.

MECHANICAL DIMENSION (Top View)


| PIN# | SINGLE | Dual | Triple |
|------|----------------|----------------|----------------|
| 1 | AC IN (L) | AC IN (L) | AC IN (L) |
| 2 | DO NOT CONNECT | DO NOT CONNECT | DO NOT CONNECT |
| 3 | AC IN (N) | AC IN (N) | AC IN (N) |
| 4 | DO NOT CONNECT | DO NOT CONNECT | DO NOT CONNECT |
| 5 | FG | FG | FG |
| 6 | DO NOT CONNECT | DO NOT CONNECT | -DC OUT |
| 7 | -DC OUT | -DC OUT | COMMON |
| 8 | DO NOT CONNECT | COMMON | +DC OUT |
| 9 | +DC OUT | +DC OUT | +5V RTN |
| 10 | DO NOT CONNECT | DO NOT CONNECT | +5V OUT |

BLOCK DIAGRAM

DERATING
