



Length	1508 mm
Width	680 mm
Height	34 mm
Frame	Aluminum
Weight	11,8 kg

Sunmodule®

SW 130/140 poly R6A

World class quality

SolarWorld produces the best products with the highest quality, manufactured according to German and US quality standards in fully-automated ISO 9001 and 14001 certified factories.

Efficell® – Made in Germany

High-efficiency SolarWorld poly cells are made in Germany for maximum performance and quality.

Independently proven to produce more energy

Independent testing carried out by the Photon trade magazine in 2008 and 2009 showed that SolarWorld modules produced up to 12% more kilowatt-hours than other major brands.

An experienced industry leader

With over 30 years of experience in off-grid solar applications – SolarWorld delivers top products and technical experience at the highest levels. Our modules are installed in over 100,000 Telecom/Industrial systems worldwide. Nobody else comes close.



Sunmodule[®]

SW 130/140 poly R6A

PERFORMANCE UNDER STANDARD TEST CONDITIONS (STC)*

		SW 130	SW 140
Maximum power	P_{max}	130 Wp	140 Wp
Open circuit voltage	U_{oc}	21,5 V	22,1 V
Maximum power point voltage	U_{mpp}	17,4 V	18,1 V
Short circuit current	I_{sc}	7,99 A	7,97 A
Maximum power point current	I_{mpp}	7,49 A	7,76 A

*STC: 1000W/m², 25°C, AM 1.5

PERFORMANCE AT 800 W/m², NOCT, AM 1.5

		SW 130	SW 140
Maximum power	P_{max}	94,6 Wp	103,3 Wp
Open circuit voltage	U_{oc}	19,8 V	20,3 V
Maximum power point voltage	U_{mpp}	15,8 V	16,7 V
Short circuit current	I_{sc}	6,44 A	6,42 A
Maximum power point current	I_{mpp}	5,99 A	6,21 A

Minor reduction in efficiency under partial load conditions at 25°C: at 200W/m², 95% (+/-3%) of the STC efficiency (1000 W/m²) is achieved.

COMPONENT MATERIALS

Cells per module	36
Cell type	Poly crystalline
Cell dimensions	156 mm x 156 mm
Front	tempered glass (EN12150)

SYSTEM INTEGRATION PARAMETERS

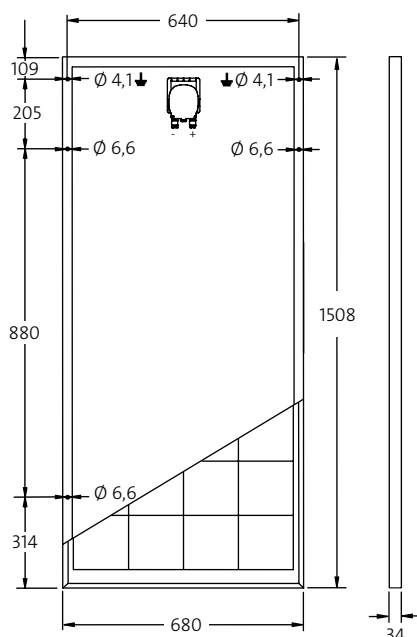
Maximum system voltage SC II	1000 V
Maximum reverse current	12 A
Number of bypass diodes	2

THERMAL CHARACTERISTICS

NOCT	46 °C
TC I_{sc}	0,034 %/K
TC U_{oc}	-0,34 %/K
TC P_{mpp}	-0,48 %/K

ADDITIONAL DATA

Power tolerance	+/- 5%
Junction box	IP65
Maximum outer cable diameter	6,9 mm
Maximum wire cross section	4 mm ²



SolarWorld AG reserves the right to make specification changes without notice. This data sheet complies with the requirements of EN 50380.