

Steca PR

PR 0303, PR 0505

The Steca PR 0303 and PR 0505 solar charge controllers are optimally suited for use in small solar home systems with module currents up to 5 A.

A 75 Wp module can be connected, which easily allows operation of lamps, radios and a small television. All loads can be switched off using the manual load switch on the controller. The extremely low own consumption makes the Steca PR especially suitable for professional applications in telecommunications and traffic management technology. Since this is a serial controller, it is extremely flexible in the type of power source that can be connected. The electronic fuse makes the controller completely maintenance-free and robust.

CLASSIC



Product features

- Series controller
- Voltage regulation
- PWM control
- Multistage charging technology
- Current compensated load disconnection
- Automatic load reconnection
- Temperature compensation
- Common positive grounding or negative grounding on one terminal

Electronic protection functions

- Overcharge protection
- Deep discharge protection
- Reverse polarity protection of module, load and battery
- Automatic electronic fuse
- Short circuit protection of load and module
- Overvoltage protection at module input
- Open circuit protection without battery
- Reverse current protection at night
- Overtemperature and overload protection
- Battery overvoltage shutdown

Displays

- Multi-coloured LED
- 3 multi-coloured LEDs show operating states
~ for operation, state of charge, fault messages

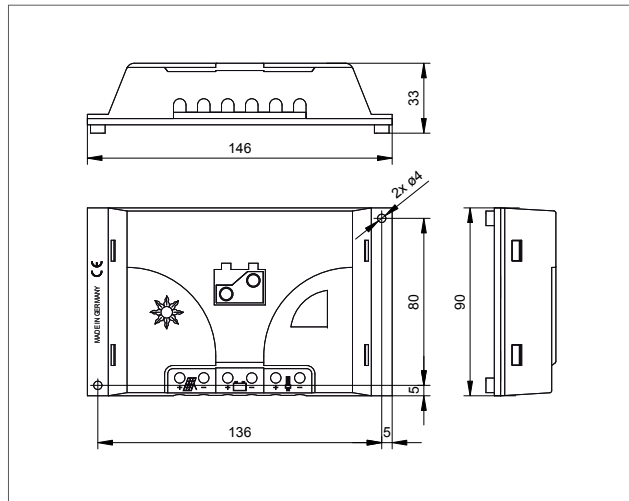
Operation

- Manual load switch

Certificates

- Approved by the World Bank for Laos
- Compliant with European Standards (CE)
- RoHS compliant
- Made in Germany
- Developed in Germany
- Manufactured according to ISO 9001 and ISO 14001

3 A...5 A



	PR 0303	PR 0505
Characterisation of the operating performance		
System voltage	12 V	
Own consumption	3 mA	
DC input side		
Open circuit voltage solar module	< 47 V	
Module current	3 A	5 A
DC output side		
Load current	3 A	5 A
End of charge voltage	13.7 V	
Boost charge voltage	14.4 V	
Reconnection voltage (LVR)	12.5 V	
Deep discharge protection (LVD)	11 V ... 11.5 V	
Operating conditions		
Ambient temperature	-25 °C ... +50 °C	
Fitting and construction		
Set battery type	gel	
Terminal (fine / single wire)	6 mm ² / 10 mm ² - AWG 10 / 8	
Degree of protection	IP 32	
Dimensions (X x Y x Z)	146 x 90 x 33 mm	
Weight	160 g	

Technical data at 25 °C / 77 °F

Areas of application:

