

## Steca Tarom MPPT 6000

The Steca Tarom MPPT 6000 solar charge controller sets new standards in the area of Maximum Power Point charge controllers. Outstanding efficiency along with unique safety features make it a universal top-grade charge controller.

There are two available inputs to be used either in parallel or separately. Different module arrays can be flexibly combined using one charge controller.

With an input voltage of up to 200 V, all kinds of solar modules can be used in various connection schemes. This charge controller combines high flexibility, maximum yields, professional battery care and an appealing design on the basis of advanced technology.

### Product features

- Line compensation by sensor cables
- Robust metal casing
- Maximum Power Point Tracker (MPP tracker)
- Voltage and current regulation
- PWM control
- Temperature compensation
- Monthly maintenance charge
- Two strings

### Electronic protection functions

- Overcharge protection
- Deep discharge protection
- Reverse polarity protection of module and battery
- Automatic electronic fuse
- Overvoltage protection at module input
- Open circuit protection without battery
- Reverse current protection at night
- Overtemperature and overload protection
- Battery overvoltage shutdown
- PE connection
- Earth fault monitoring

### Displays

- Multifunction graphical LCD display with backlighting
- Configuration via display unit

### Options

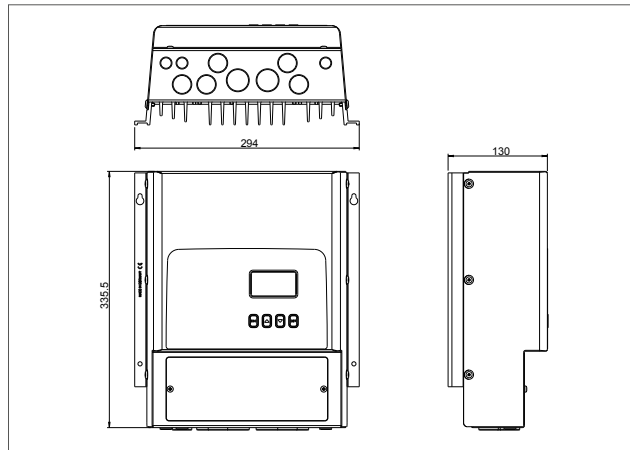
- External temperature sensor

### Certificates

- Compliant with European Standards (CE)
- RoHS compliant
- Made in Germany
- Developed in Germany
- Manufactured according to ISO 9001 and ISO 14001



70 A



MPPT 6000	
<b>Characterisation of the operating performance</b>	
System voltage	12 V / 24 V / 48 V
Nominal power	850 W / 1,700 W / 3,400 W
Max. efficiency	> 98 %
Own consumption	2 W
<b>DC input side</b>	
MPP voltage / string	17 V ... 170 V
Open circuit voltage solar module /string (at minimum operating temperature)	20 V ... 200 V
Module current	2 x 30 A
<b>DC output side</b>	
Charge current	60 A
End of charge voltage	13.9 V / 27.8 V / 55.6 V
Boost charge voltage	14.4 V / 28.8 V / 57.6 V
Equalisation charge	14.7 V / 29.4 V / 58.8 V
Reconnection voltage (LVR)	12.5 V / 25 V / 50 V
Deep discharge protection (LVD)*	11.5 V / 23 V / 46 V
<b>Operating conditions</b>	
Ambient temperature	-25 °C ... +50 °C
<b>Fitting and construction</b>	
Set battery type	liquid (adjustable via menu)
Terminal (fine wire)	30 mm <sup>2</sup> - AWG 3
Degree of protection	IP 31
Dimensions (X x Y x Z)	295 x 335 x 125 mm
Weight	approx. 6,300 g

\* Master only

Technical data at 25 °C / 77 °F

Areas of application:

